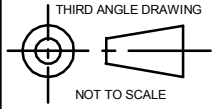
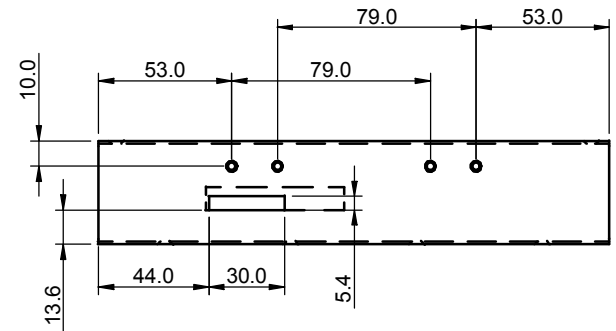
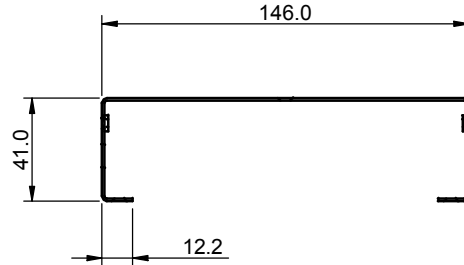
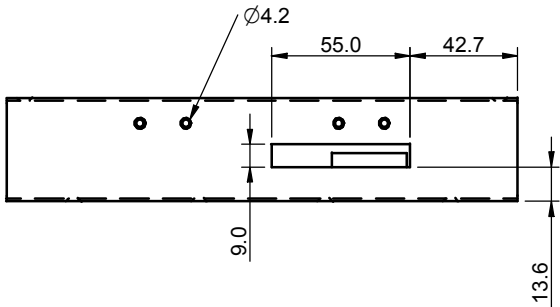
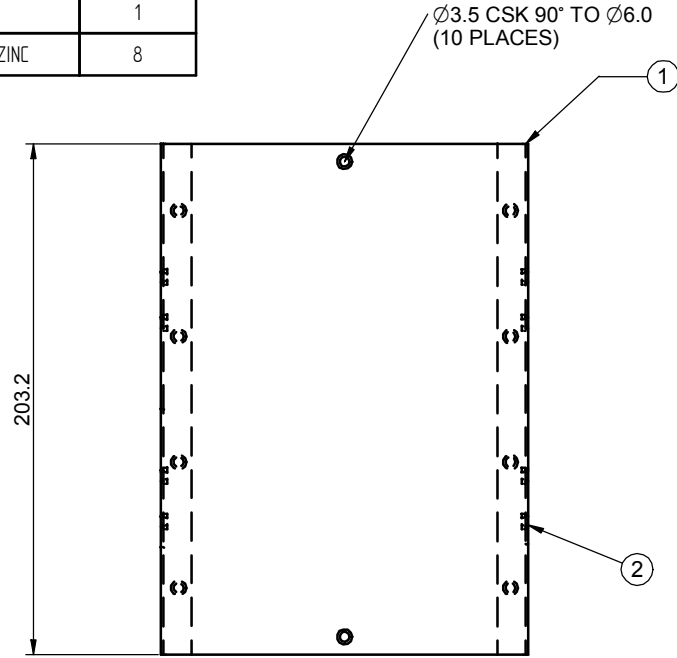
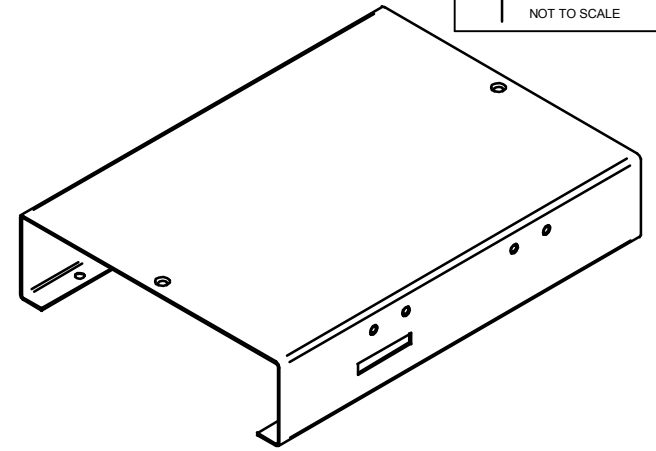


CHECKED BY:
DATE



Item #	Desc	Title	Quantity
1	M-BWS-064004-1A	COVER	1
2	M3-0 NUT	M3-0 SELF CLINCH NUT ZINC	8



CARLTON TAYLOR
INDUSTRIES LIMITED

46 Disraeli Street, Christchurch, NZ
PO Box 2205, Christchurch
Phone 64-03-366-9064
Fax 64-03-365-7975
E-Mail custserv@hamercarlton.co.nz

ISSUE	CHANGE	DATE	DRAWN	APP.	MATERIAL & FINISH	TOLERANCES	CUSTOMER	DESCRIPTION
A	FIRST ISSUE	27/08/2007	mhair		1.0mm EG	0 +/- 0.5 0.0 +/- 0.2 0.00 +/- 0.1 ANGLES +/- 0.5DEG ALL DIM IN MM	BLUE WATER SYSTEMS	RIG200 COVER
					NEUTRAL FACTOR BEND RADIUS		CUSTOMER PART No	DRAWING No M-BWS-064004-1A