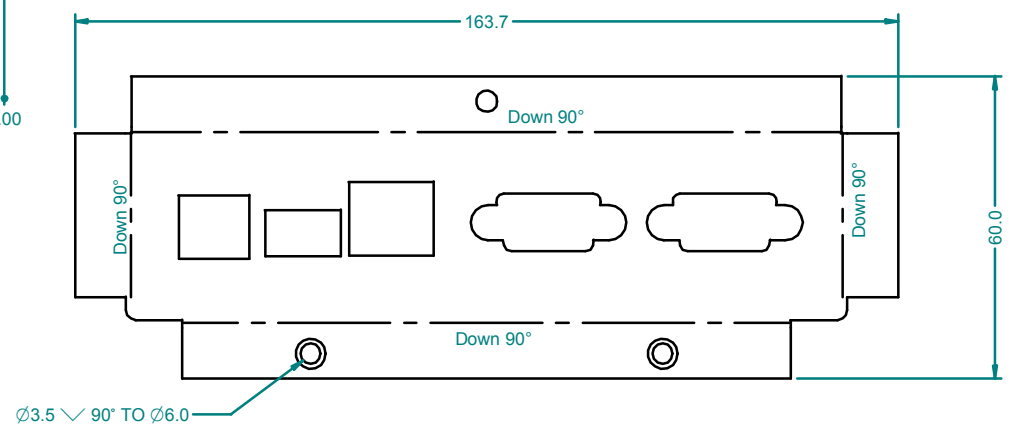
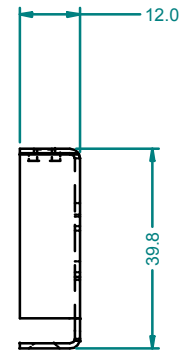
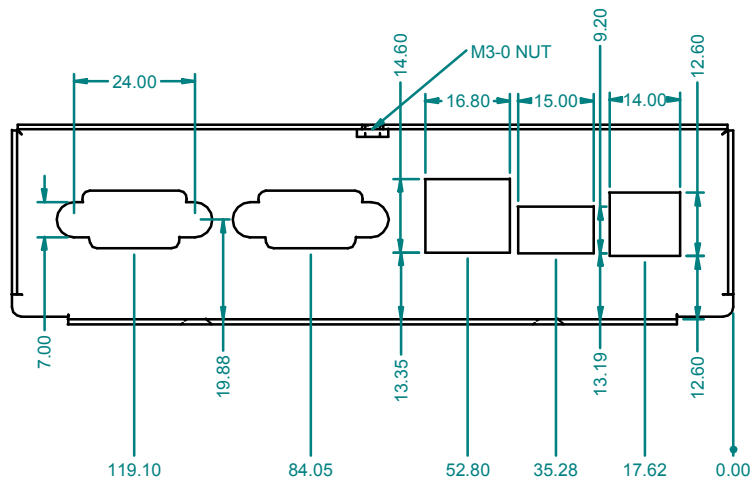
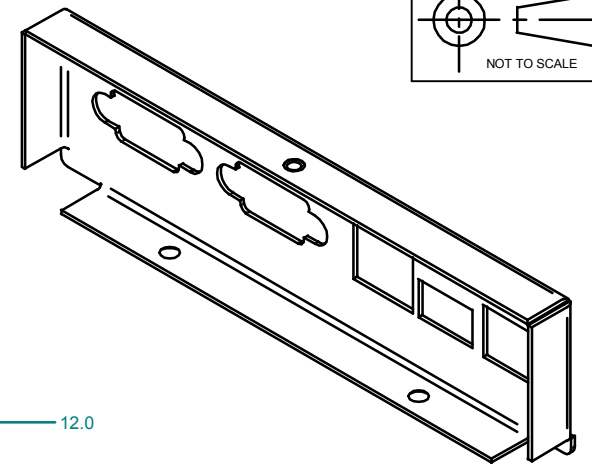
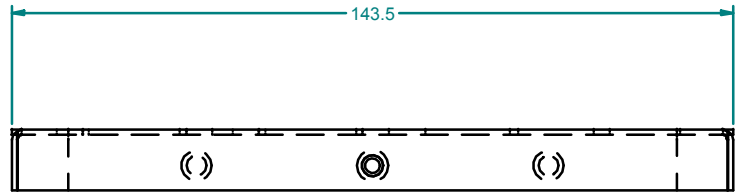
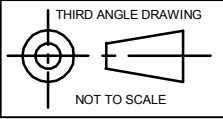


CHECKED BY:  
DATE



**CARLTON TAYLOR**  
INDUSTRIES LIMITED

46 Disraeli Street, Christchurch, NZ  
PO Box 2205, Christchurch  
Phone 64-03-366-9064  
Fax 64-03-365-7975  
E-Mail custserv@hamercarlton.co.nz

ISSUE	CHANGE	DATE	DRAWN	APP.	MATERIAL & FINISH	TOLERANCES	CUSTOMER	DESCRIPTION
A	FIRST ISSUE	27/08/2007	mhair		1.0mm EG	0 +/- 0.5 0.0 +/- 0.2 0.00 +/- 0.1 ANGLES +/- 0.5DEG ALL DIM IN MM	BLUE WATER SYSTEMS	FRONT PANEL
					NEUTRAL FACTOR BEND RADIUS		CUSTOMER PART No	DRAWING No M-BWS-064005-1A